

AXIAL DC FANS



DC TUBE AXIAL FAN

Impeller/Frame

UL94V-0 Black Plastic

Lead Wire

UL 1007, 22 AWG

Bearing System

2 Ball Bearings or Sleeve Bearing

Operating Temperature

Ball Bearings: -40°C to + 70°C

Sleeve Type: -25°C to + 70° C

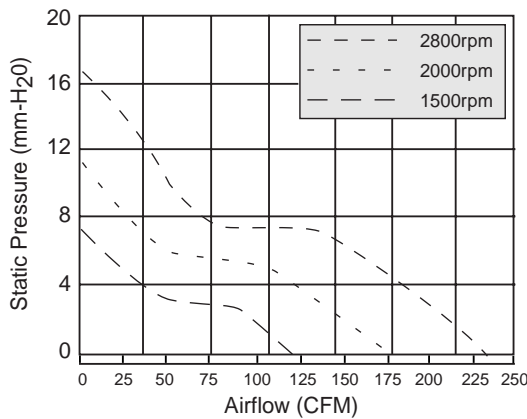
Safety Approval

UL/CUL #195825

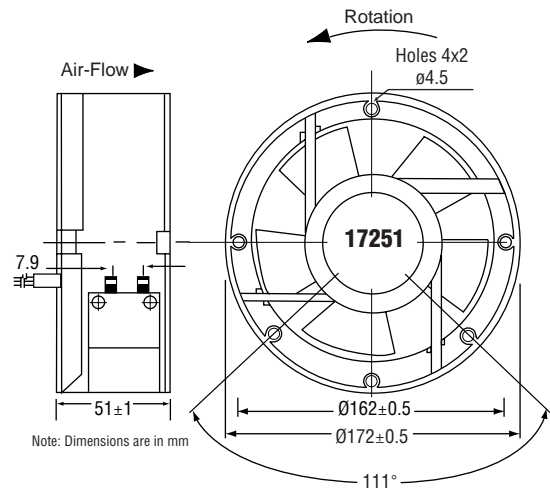
SERIES DC17251



PERFORMANCE CURVE



MECHANICAL DRAWING



172x172x51mm

Specifications are subject to change without notice

MODEL No.	RATED VOLTAGE (VDC)	RATED CURRENT (mA)	RATED POWER (W)	SPEED RPM	CFM	PRESSURE mm/h20	NOISE dBa
WW17251012BL	12	450	5.4	1500	120	6.4	30
WW17251012BM	12	550	6.6	2000	150	7.6	38
WW17251012BH	12	1400	16.8	2800	200	14.2	50
WW17251024BL	24	200	4.8	1500	120	6.4	30
WW17251024BM	24	300	7.2	2200	150	7.6	38
WW17251024BH	24	650	15.6	3000	225	14.2	50
WW17251048BL	48	100	4.8	1500	120	6.4	30
WW17251048BM	48	150	7.2	2200	150	7.6	38
WW17251048BH	48	390	18.7	3050	230	14.2	50